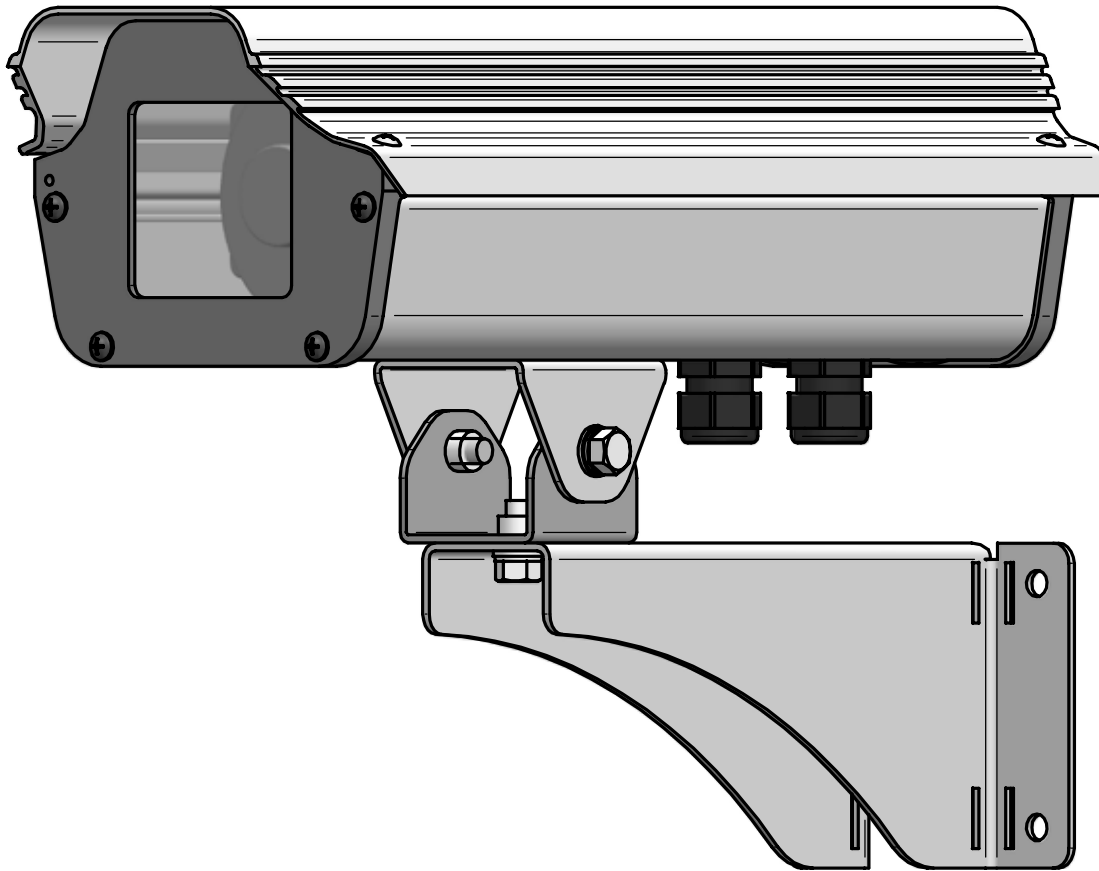


for

**PRODUCT INSTRUCTIONS**

MODEL: 24889, 29892



## IMPORTANT SAFEGUARDS

1. Read Instructions - All the safety and operating instructions should be read before the unit is operated.
2. Retain Instructions - The safety and operating instructions should be retained for future reference.
3. Heed Warnings - All warnings on the unit and in the operating instructions should be adhered to.
4. Follow Instructions - All operating and user instructions should be followed.
5. Electrical Connections - Only a qualified electrician should make electrical connections.
6. Attachments - Do not use attachments not recommended by the product manufacturer as they may cause hazards.
7. Cable Runs - All cable runs must be within permissible distance.
8. Mounting - This unit must be properly and securely mounted to a supporting structure capable of sustaining the weight of the unit. Accordingly:
  - a. The installation should be made by a qualified installer.
  - b. The installation should be in compliance with local codes.
  - c. Care should be exercised to select suitable hardware to install the unit, taking into account both the composition of the mounting surface and the weight of the unit. Be sure to periodically examine the unit and the supporting structure to make sure that the integrity of the installation is intact. Failure to comply with the foregoing could result in the unit separating from the support structure and falling, with resultant damages or injury to anyone or anything struck by the falling unit.

## DOME/HOUSING/ELECTRICAL COMPONENT

### WARRANTY INFORMATION

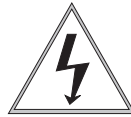
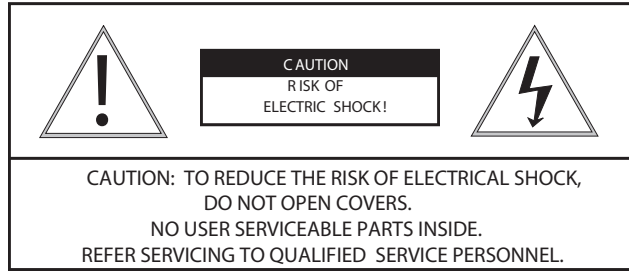
Axis, Incorporated warrants that its domes and housing sold here under shall be fit for the ordinary purpose for which said products are intended and shall be free from defects in material and workmanship for a period of three years from date of sale to buyer. Note that all electrical components will be warranted for a period of three years from date of sale to buyer. Axis makes no other warranty of any kind with respect to this product, whether expressed or implied, including, without limitation, the implied warranty of fitness for a particular purpose.

In the event of a breach of the above warranty, Axis shall, at its option, repair or replace said product. This is Axis's sole obligation under this warranty. In no event shall Axis be liable for any incidental or consequential damages, as defined in section 2-715 of the Uniform Commercial Code by a breach of this warranty.

Axis shall repair or replace defective products upon shipment of products returned prepaid to Axis.

Repairs made necessary by reason of accident, misuse or normal wear shall be charged at Axis's standard rate. This warranty gives you specific legal rights, and you may also have other rights which vary from state to state.

## SAFETY PRECAUTIONS



The lightning flash with an arrowhead symbol, with in an equilateral triangle, is intended to alert the user to the presence of non-insulated "dangerous voltage" within the product's enclosure that may be of sufficient magnitude to constitute a risk of electric shock to persons.



The exclamation point with in an equilateral triangle is intended to alert the user to presence of important operating and maintenance (servicing) instructions in the literature accompanying the appliance.

## UNPACKING

Unpack carefully. Electronic components can be damaged if improperly handled or dropped. If an item appears to have been damaged in shipment, replace it properly in its carton and notify the shipper.

Be sure to save:

1. The shipping carton and packaging material. They are the safest material in which to make future shipments of the equipment.
2. These Installation and Operating Instructions.

## SERVICE

If the unit ever needs repair service, the customer should contact Axis (1-800-444-2947) for authorization to return and shipping instructions.

## TECHNICAL SUPPORT

If technical support is needed, Axis has set-up a technical support line for their customers.

**AXIS TECHNICAL SUPPORT**

**1-800- 444-2947**



## Electrical Specifications

**24889**

Input Power: 24 VAC  
 Power Consumption: 1.45Amp Total Consumption  
 Power Output: 27 Watts Heater/Blower  
 Up to 8 Watts Camera Power

Tools Required: Phillips Screwdriver  
 7/16 Wrench or Socket

24VAC 50Watts

Wire Gauge	22	20	18	16	14	12
Distance	55	90	150	230	270	600

Energía De Entrada: 24 VAC  
 De Consumo De Energía: 1.45Amp Total Consumption  
 De Salida De Energía: 27 Vatios De Heater/Blower  
 Up to 8 Vatios De Energía De la Cámara fotográfica

Herramientas Requeridas: Destornillador Phillips  
 7/16 llave o zócalo

Puissance D'entrée : 24 VCA  
 De Puissance D'Énergie : 1.45Amp Total Consumption  
 De Rendement De Puissance : 27 Watts De Heater/Blower  
 Up to 8 Watts De Puissance

D'Appareil-photo Les Outils Ont exigé : Tournevis Phillips  
 7/16 clé ou douille

Zugeführte Energie: 24 VAC  
 Leistungsaufnahme: 1.45Amp Total Consumption  
 Abgabeleistung: 27 Watt Heater/Blower  
 Up to 8 Watt Kamera-Energie

Werkzeuge Erforderten: Kreuzkopfschraubenzieher  
 7/16 Schlüssel oder Einfaßung

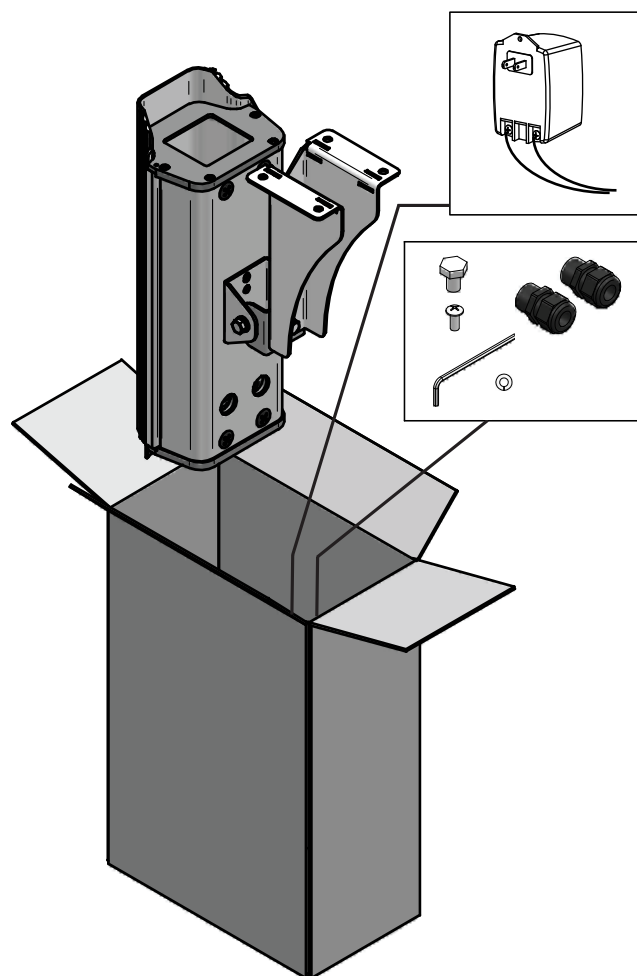
Poder De Entrada: 24 VAC  
 De Consumo De Potência: 1.45Amp Total Consumption  
 De Saída De Poder: 27 Watts De Heater/Blower  
 Up to 8 Watts De Poder Da Câmera

As Ferramentas Requereram: Chave de fenda Phillips  
 7/16 de chave ou de soquete

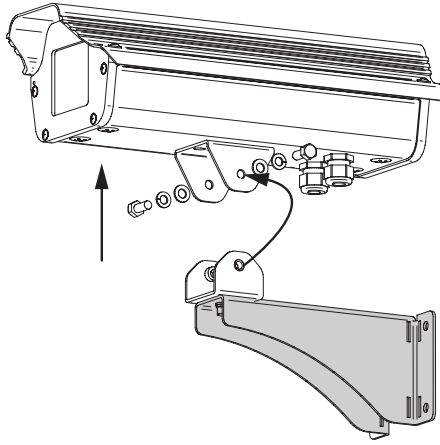
Alimentazione in ingresso Di Entrada: 24 VCA  
 Di Assorbimento di corrente Di energia: 1.45Amp Total  
 Consumption  
 Di Uscita Di Alimentazione: 27 Watt Di Heater/Blower  
 Up to 8 Watt Di Alimentazione Della  
 Macchina fotografica

Attrezzi Richiesti: Cacciavite "phillips"  
 7/16 chiave o di zoccolo

## Unpacking the Product



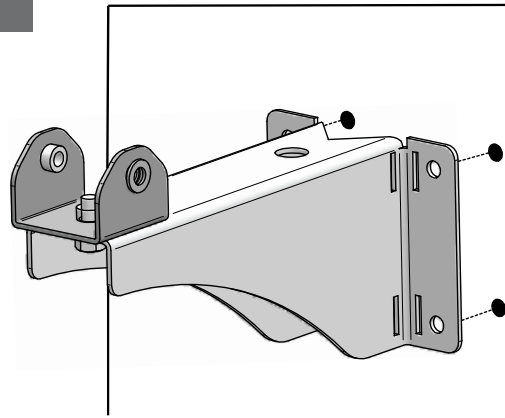
1



### Remove the tilt mechanism from the bracket.

- Quite el mecanismo de la inclinación del soporte.
- Enlevez le mécanisme d'inclinaison de la parenthèse.
- Entfernen Sie die Neigungeinheit vom Haltewinkel.
- Remova o mecanismo da inclinação do suporte.
- Rimuova il meccanismo di inclinazione dalla staffa.

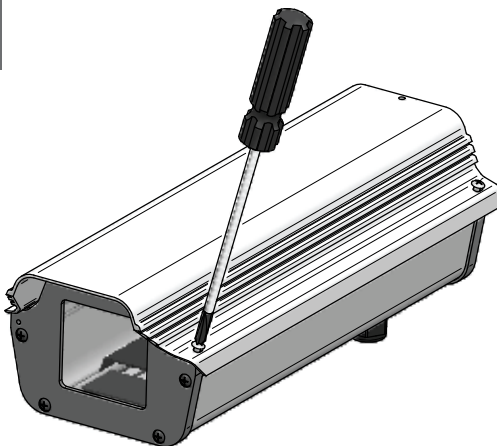
2



### Attach the bracket to the wall and secure appropriately.

- Una el soporte a la pared y asegúrelo apropiadamente.
- Attachez la parenthèse au mur et la fixez convenablement.
- Bringen Sie den Haltewinkel zur Wand an und sichern Sie passend.
- Una o suporte à parede e fixe-o apropriadamente.
- Fissi la staffa alla parete e fissi giustamente.

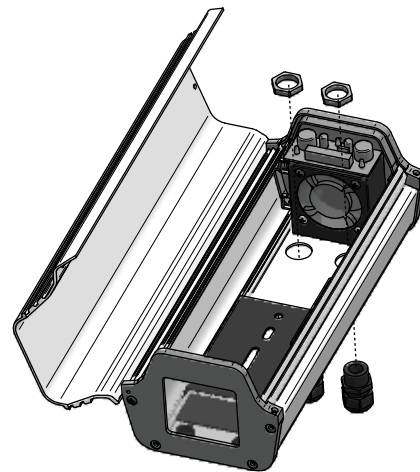
3



### Remove the (2) screws on top of the housing and lift it open.

- Quite (2) los tornillos encima de la cubierta y levántelos abiertos.
- Enlevez (2) les vis sur le logement et soulevez-les ouvertes.
- Entfernen Sie die (2) Schrauben auf das Gehäuse und heben Sie sie geöffnet an.
- Remova (2) os parafusos no alto da carcaça e levante-os abertos.
- Rimuova (2) le viti in cima all'alloggiamento ed alzile aperte.

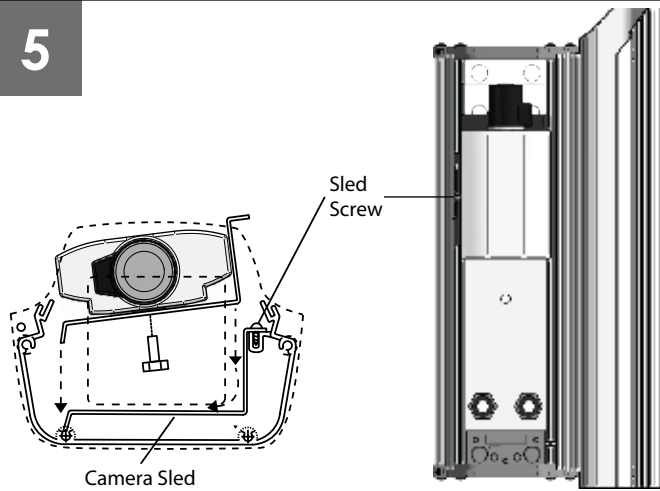
4



### Install the (2) cable strain relief plugs on the bottom of the housing and tighten with the locknuts.

- Instale (2) los enchufes del retenedor de cable del cable en el fondo de la cubierta y apriete con las tuercas de fijación.
- Installez (2) les prises de passe-fils de câble sur le fond du logement et serrez avec les contre-écrous.
- Bringen Sie die (2) Kabelgummidurchführungsringsstecker auf die Unterseite des Gehäuses an und ziehen Sie mit den Kontermuttern fest.
- Instale (2) os plugues do protetor da fiação do cabo no fundo da carcaça e aperte-os com as contraporcas.
- Installi (2) le spine di gommino di protezione del cavo sulla parte inferiore dell'alloggiamento e stringa con i contro dadi.

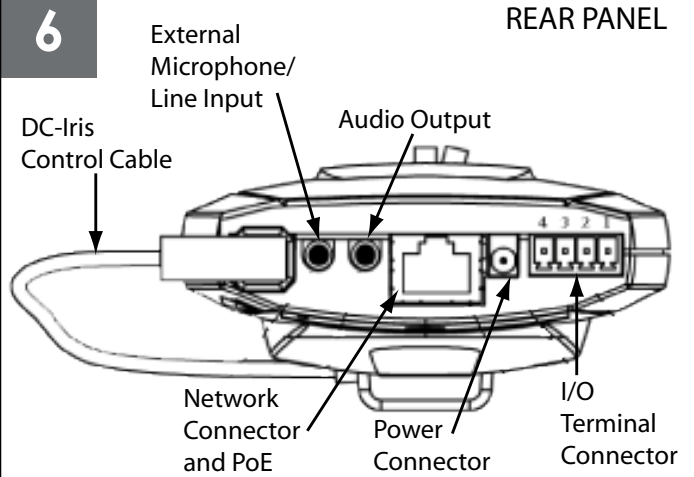
5



Place camera on sled and align mounting holes on each. Adjust camera parallel to sled and tighten the bolt on the bottom.

- Coloque la cámara fotográfica en el trineo y alinee los agujeros de montaje en cada uno. Ajuste la cámara fotográfica paralela al trineo y apriete el perno en el fondo.
- Placez l'appareil-photo sur le traîneau et alignez les trous de support sur chacun. Ajustez l'appareil-photo parallèle au traîneau et serrez le boulon sur le fond.
- Setzen Sie Kamera auf Schlitten und richten Sie Entlüftungslöcher auf jedem aus. Justieren Sie die Kamera, die zum Schlitten parallel ist und ziehen Sie den Schraubbolzen auf der Unterseite fest.
- Coloque a câmera no trenó e alinhe furos de montagem em cada um. Ajuste a câmera paralela ao trenó e aperte o parafuso no fundo.
- Disponga la macchina fotografica sulla slitta ed allinei i fori di montaggio su ciascuno. Registri la macchina fotografica parallela alla slitta e stringa il bullone sulla parte inferiore.

6

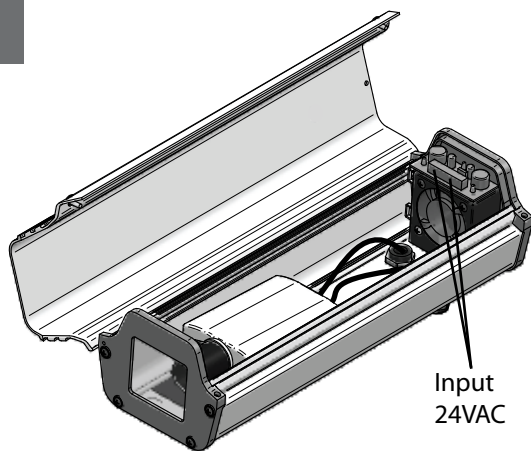


REAR PANEL

Feed the wiring through the conduit plugs and make all connections to the camera and lens.

- Alimente el cableado a través de los enchufes del conducto y haga todas las conexiones a la cámara fotográfica y a la lente.
- Alimentez le câblage par les prises de conduit et établissez tous les rapports à l'appareil-photo et à l'objectif.
- Ziehen Sie die Verdrahtung durch die Rohrstecker ein und stellen Sie alle Beziehungen zur Kamera und zum Objektiv her.
- Alimente a fiação através dos plugues da canalização e faça todas as conexões à câmera e à lente.
- Alimenti i collegamenti tramite le spine del condotto e faccia tutti i collegamenti alla macchina fotografica ed all'obiettivo.

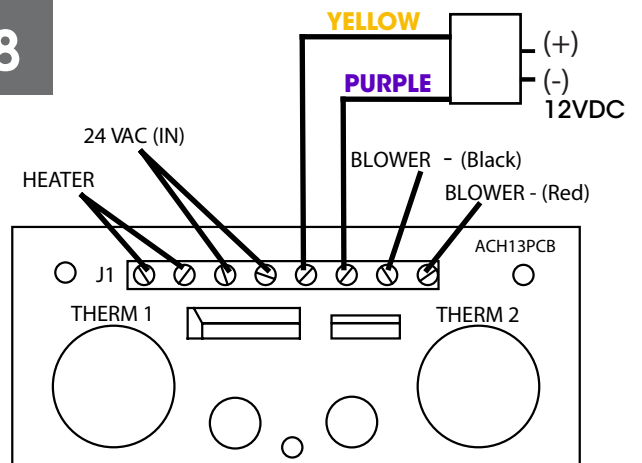
7



Run 24VAC power through a conduit plug, and place the stripped power wire ends into the 24AC power board.

- Funcione la energía 24VAC a través de un enchufe del conducto, y ponga los extremos pelados del alambre de la energía en el tablero de energía 24AC.
- Courez la puissance 24VAC par une prise de conduit, et placez les extrémités dépouillées de fil de puissance dans carte d'alimentation 24AC.
- Lassen Sie Energie 24VAC durch einen Rohrstecker, laufen und setzen Sie die abgestreiften Energie Leitung Enden in das Energie 24AC Brett.
- Funcione o poder 24VAC através de um plugue da canalização, e coloque as extremidades descascadas do fio do poder na placa de poder 24AC.
- Faccia funzionare l'alimentazione 24VAC tramite una spina del condotto e disponga le estremità messe a nudo del legare di alimentazione nel bordo di alimentazione 24AC.

8

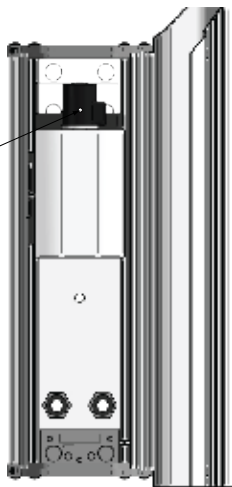


Tighten the terminal block screws then the conduit plugs.

- Apriete los tornillos del bloque de terminales entonces los enchufes del conducto.
- Serrez les vis de TB puis les prises de conduit.
- Ziehen Sie die Klemmenblockschrauben dann die Rohrstecker fest.
- Aperte os parafusos do bloco terminal então os plugues da canalização.
- Stringa le viti del blocchetto terminali allora le spine del condotto.

9

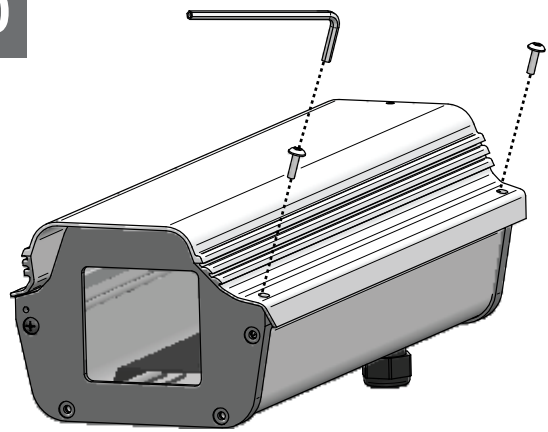
Adjust  
Lens  
Here



Adjust the focus and focal length until the desired field of view and focus is obtained. For the 29892 wireless, attach the antenna lead to the camera.

- Ajuste el foco y la longitud focal hasta que se obtenga el campo visual y el foco deseados. Para la radio 29892, ate la antena llevan a la cámara.
- Ajustez le foyer et la longueur focale jusqu'à ce que le champ visuel et le foyer désirés soit obtenu. Pour la radio 29892, attachez l'antenne mènent à l'appareil-photo.
- Justieren Sie den Fokus und die fokale Länge, bis das gewünschte Blickfeld und der Fokus erhalten ist. Für den Radioapparat 29892 bringen Sie die Antenne führen zu die Kamera an.
- Ajuste o foco e o comprimento focal até que o campo de visão e o foco desejados estejam obtidos. Para o rádio 29892, una a antena conduzem à câmara.
- Registri il fuoco e la lunghezza focale fino ad ottenere il campo visivo ed il fuoco voluti. Per la radio 29892, attacchi l'antenna conducono alla macchina fotografica.

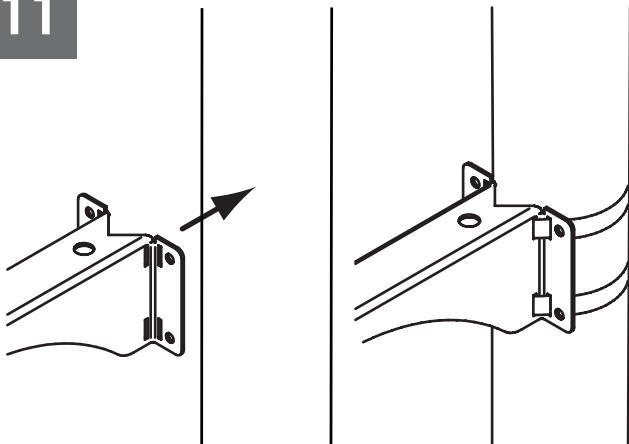
10



If desired, use the security screws in place of hex screws.

- Si está deseado, utilice los tornillos de la seguridad en lugar de los tornillos de la tuerca hexagonal.
- Si désiré, utilisez les vis de sécurité au lieu des vis de sortilège.
- Wenn Sie gewünscht werden, benutzen Sie die Sicherheit Schrauben anstatt der Hexagonschrauben.
- Se desejado, use os parafusos da segurança no lugar dos parafusos do hex.
- Se voluto, utilizzi le viti di sicurezza al posto delle viti del hex.

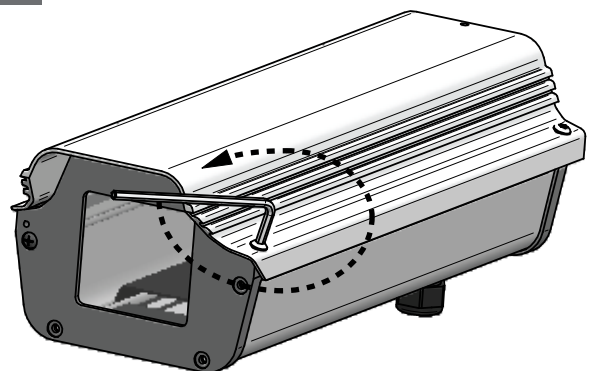
11



If mounting to pole, attach assembly using 3/4" mounting straps (not provided).

- Si monta al poste, una a asamblea usando las correas que montan del 3/4" (no proporcionadas).
- Si montant au poteau, attachez l'assemblée en utilisant les courroies de montage de 3/4" (non fournies).
- Bei der Befestigung zum Pfosten, bringen Sie Versammlung mit 3/4" den Befestigungsbügeln an (nicht bereitgestellt).
- Se montando ao pólo, una o conjunto usando as cintas de montagem de 3/4" (não fornecidas).
- Se montando al palo, fissi il complessivo usando le cinghie di montaggio di 3/4" (non fornite).

12

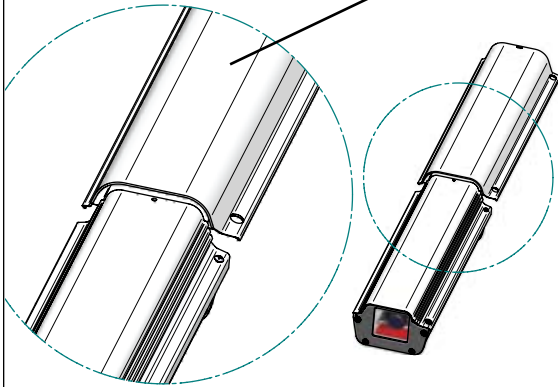


Close the top cover and tighten to the base with the hex screws.

- Cierre la cubierta superior y apriete a la base con los tornillos de la tuerca hexagonal.
- Fermez la couverture supérieure et serrez à la base avec les vis de sortilège.
- Schließen Sie die obere Abdeckung und ziehen Sie zur Unterseite mit den Hexagonschrauben fest.
- Feche a tampa superior e aperte-a à base com os parafusos do hex.
- Chiuda la copertura superiore e stringa alla base con le viti del hex.

**13**

Align to fit groove



### Slide Sunshield over first groove of housing top.

- Resbale arboleda del excedente de Sunshield la primera de la tapa de la cubierta.
- Glissez plantation d'excédent de Sunshield la première de dessus de logement.
- Schieben Sie erste Waldung des Sunshield Überschusses der Gehäuseoberseite.
- Deslize bosque do excesso de Sunshield o primeiro do alto da carcaça.
- Faccia scorrere boschetto dell'eccedenza di Sunshield il primo della parte superiore dell'alloggiamento.

(For Wireless Unit 29892)

**14**

### Connect antenna to antenna plug.

- Conecte la antena con el enchufe de antena.
- Reliez l'antenne à la prise d'antenne.
- Schließen Sie Antenne an Antennenstecker an.
- Conecte a antena ao plugue de antena.
- Colleghi l'antenna alla spina di antenna.

**15**

(For Wireless Unit 29892)

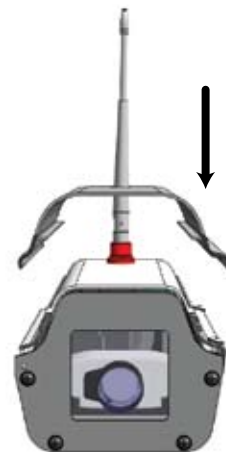


### Slide grommet tightly against housing top.

- Resbale el ojal firmemente contra tapa de la cubierta.
- Glissez le canon isolant étroitement contre le dessus de logement.
- Schieben Sie Gummimuffe fest gegen Gehäuseoberseite.
- Deslize o ilhó firmemente de encontro à parte superior da carcaça.
- Faccia scorrere strettamente il gommino di protezione contro la parte superiore dell'alloggiamento.

**16**

(For Wireless Unit 29892)

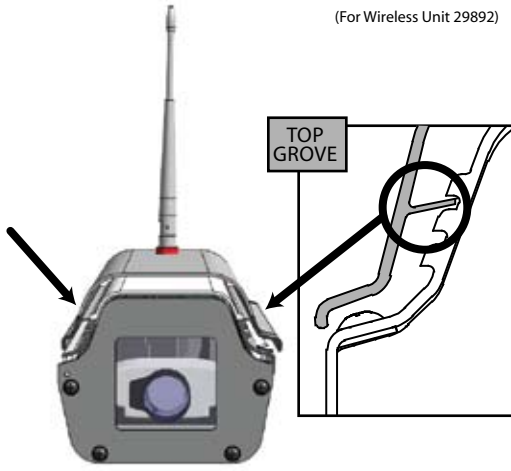


### Align sunshield with antenna and slide down towards housing.

- Alinee el protector del sol con la antena y resbale abajo hacia la cubierta.
- Alignez le bouclier du soleil avec l'antenne et glissez vers le bas vers le logement.
- Richten Sie Sonnenschild mit Antenne aus und schieben Sie unten in Richtung zum Gehäuse.
- Alinhe o protetor do sol com a antena e deslize para baixo para a carcaça.
- Allini lo schermo del sole con l'antenna e faccia scorrere giù verso alloggiamento.

17

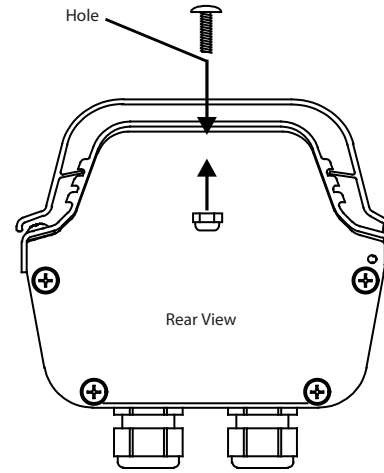
(For Wireless Unit 29892)



**Press down evenly on sun shield, the sun shield will snap into position on top set of groves**

- Apriete uniformemente en el protector del sol, el protector del sol se encajará a presión hacia la posición respecto al sistema de la tapa de arboledas.
- Enfoncez même sur le bouclier du soleil, le bouclier du soleil se cassera en le place sur l'ensemble de dessus de plantations.
- Drücken Sie gleichmäßig auf Sonnenschild, das Sonnenschild reißt in Position auf Oberseitensatz Waldungen herunter.
- Comprima uniformemente no protetor do sol, o protetor do sol agarrará na posição sobre o jogo da parte superior dos bosques.
- Comprima anche sullo schermo del sole, lo schermo del sole schioccherà nella posizione sull'insieme della parte superiore dei boschetti.

18

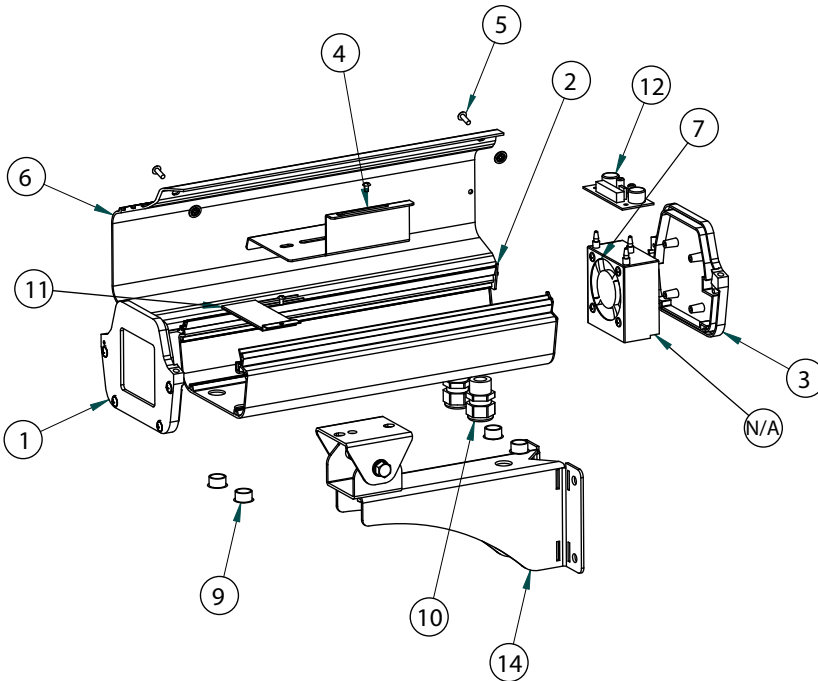


**Align holes and secure with bolt and nut.**

- Alinee los agujeros y asegúrelos con el perno y la tuerca.
- Alignez les trous et les fixez avec le boulon et l'écrou.
- Richten Sie Bohrungen aus und sichern Sie mit Schraubbolzen und Nuß.
- Alinhe furos e fixe-os com parafuso e porca.
- Allinei i fori e fissi con il bullone ed il dado.

## Replacement Parts List

24889, 29892



Item Number	Comments	Comments
1	RPACH010	Front End Cap
2	RPACH070	Lower Housing Body
3	RPACH110	Rear End Cap
4	RPACH050	Camera Sled
5*	RPACH020	Captive Fasteners (2)
6	RPACH060	Upper Housing Body
7	ACB2	Blower Assembly (240)
	N/A	
9	RPACH130	Vent Plugs
10	RPACHPK	Packet Assembly
N/S	ACHY	SunShield
11	ACH2	Heater
12	RPACHPC24	PCB
13	WM800	Wall Mount
N/S	RPTNC-7DB	ANTENNA
N/S	RPVL2556	WIRELESS PIGTAIL GROMMET
N/S		